



Getting Started Guide  
دليل بدء التشغيل  
Guia de Introdução  
Guide de prise en main

# GOLD MONSTER 1000

Australia & Asia Pacific  
+61 8 8238 0888  
minelab@minelab.com.au

Europe & Russia  
+353 21 423 2352  
minelab@minelab.ie

Middle East & Africa  
+971 4 254 9995  
minelab@minelab.ae

North, South & Central America  
+1 630 401 8150  
info@minelabamericas.com

4901-0226-4  
this equipment.  
By Minelab Electronics could void the user's authority to operate  
this equipment.

**WARNING:** Any changes or modifications not expressly approved  
by Minelab Electronics could void the user's authority to operate  
this equipment.

Operating Frequency  
The detector is configured to operate at a fundamental  
operating frequency of 45 kHz.

Operating Frequency  
The detector is configured to operate at a fundamental  
operating frequency of 45 kHz.

Operating Frequency  
The detector is configured to operate at a fundamental  
operating frequency of 45 kHz.

Operating Frequency  
The detector is configured to operate at a fundamental  
operating frequency of 45 kHz.

Operating Frequency  
The detector is configured to operate at a fundamental  
operating frequency of 45 kHz.

Operating Frequency  
The detector is configured to operate at a fundamental  
operating frequency of 45 kHz.

Operating Frequency  
The detector is configured to operate at a fundamental  
operating frequency of 45 kHz.

Operating Frequency  
The detector is configured to operate at a fundamental  
operating frequency of 45 kHz.

Operating Frequency  
The detector is configured to operate at a fundamental  
operating frequency of 45 kHz.

Operating Frequency  
The detector is configured to operate at a fundamental  
operating frequency of 45 kHz.

Operating Frequency  
The detector is configured to operate at a fundamental  
operating frequency of 45 kHz.

Operating Frequency  
The detector is configured to operate at a fundamental  
operating frequency of 45 kHz.

Operating Frequency  
The detector is configured to operate at a fundamental  
operating frequency of 45 kHz.

Operating Frequency  
The detector is configured to operate at a fundamental  
operating frequency of 45 kHz.

Operating Frequency  
The detector is configured to operate at a fundamental  
operating frequency of 45 kHz.

Operating Frequency  
The detector is configured to operate at a fundamental  
operating frequency of 45 kHz.

Operating Frequency  
The detector is configured to operate at a fundamental  
operating frequency of 45 kHz.

Operating Frequency  
The detector is configured to operate at a fundamental  
operating frequency of 45 kHz.

Operating Frequency  
The detector is configured to operate at a fundamental  
operating frequency of 45 kHz.

Operating Frequency  
The detector is configured to operate at a fundamental  
operating frequency of 45 kHz.

Operating Frequency  
The detector is configured to operate at a fundamental  
operating frequency of 45 kHz.

Operating Frequency  
The detector is configured to operate at a fundamental  
operating frequency of 45 kHz.

Operating Frequency  
The detector is configured to operate at a fundamental  
operating frequency of 45 kHz.

Operating Frequency  
The detector is configured to operate at a fundamental  
operating frequency of 45 kHz.

Operating Frequency  
The detector is configured to operate at a fundamental  
operating frequency of 45 kHz.

Operating Frequency  
The detector is configured to operate at a fundamental  
operating frequency of 45 kHz.

Operating Frequency  
The detector is configured to operate at a fundamental  
operating frequency of 45 kHz.

Operating Frequency  
The detector is configured to operate at a fundamental  
operating frequency of 45 kHz.

Operating Frequency  
The detector is configured to operate at a fundamental  
operating frequency of 45 kHz.

Operating Frequency  
The detector is configured to operate at a fundamental  
operating frequency of 45 kHz.

Operating Frequency  
The detector is configured to operate at a fundamental  
operating frequency of 45 kHz.

Operating Frequency  
The detector is configured to operate at a fundamental  
operating frequency of 45 kHz.

Operating Frequency  
The detector is configured to operate at a fundamental  
operating frequency of 45 kHz.

Operating Frequency  
The detector is configured to operate at a fundamental  
operating frequency of 45 kHz.

Operating Frequency  
The detector is configured to operate at a fundamental  
operating frequency of 45 kHz.

Operating Frequency  
The detector is configured to operate at a fundamental  
operating frequency of 45 kHz.

Operating Frequency  
The detector is configured to operate at a fundamental  
operating frequency of 45 kHz.

Operating Frequency  
The detector is configured to operate at a fundamental  
operating frequency of 45 kHz.

Operating Frequency  
The detector is configured to operate at a fundamental  
operating frequency of 45 kHz.

Operating Frequency  
The detector is configured to operate at a fundamental  
operating frequency of 45 kHz.

Operating Frequency  
The detector is configured to operate at a fundamental  
operating frequency of 45 kHz.

Operating Frequency  
The detector is configured to operate at a fundamental  
operating frequency of 45 kHz.

Operating Frequency  
The detector is configured to operate at a fundamental  
operating frequency of 45 kHz.

Operating Frequency  
The detector is configured to operate at a fundamental  
operating frequency of 45 kHz.

Operating Frequency  
The detector is configured to operate at a fundamental  
operating frequency of 45 kHz.

Operating Frequency  
The detector is configured to operate at a fundamental  
operating frequency of 45 kHz.

Operating Frequency  
The detector is configured to operate at a fundamental  
operating frequency of 45 kHz.

Operating Frequency  
The detector is configured to operate at a fundamental  
operating frequency of 45 kHz.

Operating Frequency  
The detector is configured to operate at a fundamental  
operating frequency of 45 kHz.

Operating Frequency  
The detector is configured to operate at a fundamental  
operating frequency of 45 kHz.

Operating Frequency  
The detector is configured to operate at a fundamental  
operating frequency of 45 kHz.

Operating Frequency  
The detector is configured to operate at a fundamental  
operating frequency of 45 kHz.

Operating Frequency  
The detector is configured to operate at a fundamental  
operating frequency of 45 kHz.

Operating Frequency  
The detector is configured to operate at a fundamental  
operating frequency of 45 kHz.

Factory Reset  
إعادة ضبط المصنع  
Re-initialiser les réglages d'usine  
Configurar de fábrica

Quick Start  
التشغيل السريع  
Démarrage rapide  
Início rápido

1  
Turn On  
شغل الجهاز  
Mise en route  
Ligar

2  
Auto noise cancel  
الإلغاء الأوتوماتيكي للضوضاء  
Élimination automatique des interférences  
Cancelamento de ruído automático

3  
Begin gold detecting  
إبدء البحث عن الذهب  
Commencer à détecter de l'or  
Iniciar a detecção de ouro

Control Panel لوحة التحكم Panneau de commande Painei de controle

1 Iron Low gold chance / Faible probabilité d'Or / Baixa possibilidade de ouro / Gold الذهب  
2 Battery Level  
3 Sensitivity Adjust (1-10)  
4 Auto Sensitivity (11)  
5 Auto + Sensitivity (12)  
6 Error Indicator  
7 Volume Adjust (1-6)  
8 Detect Mode  
9 Ground Balance  
10 Power

9 Quick Ground Balance Long Press | ميزان أرضي سريع ضغطة طويلة | Equilibre au sol rapide Appui Long | 快速地面平衡 长按 | Balanço Rápido do Solo Longa Impres

3 4 5 7

- |    |                              |    |                              |    |                                     |    |                                      |
|----|------------------------------|----|------------------------------|----|-------------------------------------|----|--------------------------------------|
| EN | 1. Gold Chance Indicator     | AR | 1. مؤشر احتمالية الذهب       | FR | 1. Indicateur de probabilité d'or   | PT | 1. Indicador de Oportunidade de Ouro |
|    | 2. Battery Level             |    | 2. مستوى شحن البطارية        |    | 2. Niveau de charge batteries       |    | 2. Nível de bateria                  |
|    | 3. Sensitivity Adjust (1-10) |    | 3. ضبط حساسية (1-10)         |    | 3. Réglage de la sensibilité (1-10) |    | 3. Ajuste de sensibilidade (1-10)    |
|    | 4. Auto Sensitivity (11)     |    | 4. حساسية أوتوماتيكية (11)   |    | 4. Sensibilité automatique (11)     |    | 4. Sensibilidade automática (11)     |
|    | 5. Auto + Sensitivity (12)   |    | 5. حساسية + أوتوماتيكية (12) |    | 5. Sensibilité + automatique (12)   |    | 5. Sensibilidade + automática (12)   |
|    | 6. Error Indicator           |    | 6. مؤشر الأخطاء              |    | 6. Indicateur d'erreur              |    | 6. Indicador de erro                 |
|    | 7. Volume Adjust (1-6)       |    | 7. ضبط شدة الصوت (1-6)       |    | 7. Réglage du volume (1-6)          |    | 7. Ajuste do volume (1-6)            |
|    | 8. Detect Mode               |    | 8. أسلوب الكشف               |    | 8. Mode de détection                |    | 8. Modo de detecção                  |
|    | 9. Ground Balance            |    | 9. توازن الأرض               |    | 9. Équilibre au sol                 |    | 9. Balanço Terrestre                 |
|    | 10. Power                    |    | 10. التشغيل                  |    | 10. Marche/Arrêt                    |    | 10. Ligar                            |

Press and hold for 10 seconds  
اضغط واسمّر في الضغط لمدة 10 ثوانٍ  
Appuyez pendant 10 secondes  
Pressione e mantenha assim por 10 segundos

1  
Iron Low gold chance / Faible probabilité d'Or / Baixa possibilidade de ouro / Gold الذهب  
Fer Ferro  
High gold chance / Forte probabilité d'Or / Alta possibilidade de ouro

8  
Gold (Iron Reject) / ذهب (رفض الحديد)  
Or (discrimination des ferreux) / Ouro (Rejeição ao ferro)

Deep All-Metal / عميق كل المعادن  
Profond Tous Métaux / Todos os Metais Profundos

7  
Volume Adjust (1-6)

3  
Begin gold detecting  
إبدء البحث عن الذهب  
Commencer à détecter de l'or  
Iniciar a detecção de ouro

# Assembly

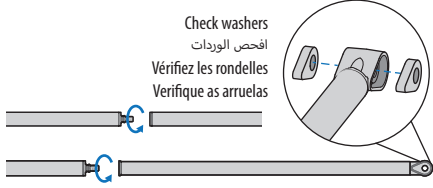
# التجميع

# Montage

# Montagem

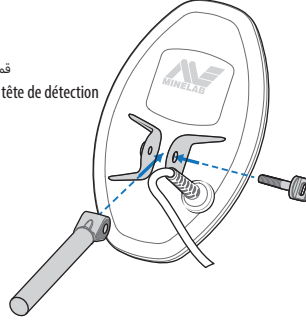
1

Screw mid, lower & upper shafts together  
اربط القضيب الأوسط والسفلي والعلوي سوياً  
Vissez les manches inférieur, intermédiaire et supérieur ensemble  
Aparafuse as hastas intermediária, inferior e superior juntas



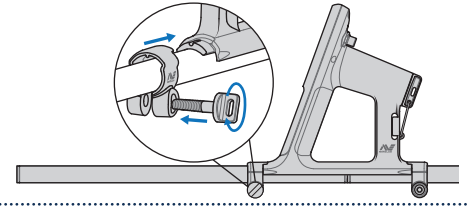
2

Attach lower shaft to coil  
قم بتثبيت القضيب السفلي في الملف  
Reliez le manche inférieur à la tête de détection  
Fixe a haste na bobina



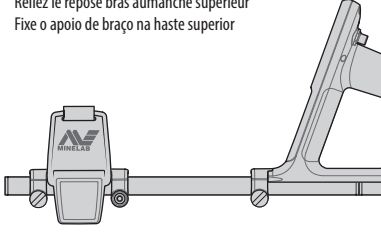
3

Attach control box to upper shaft  
قم بتثبيت صندوق التحكم في القضيب العلوي  
Reliez le boîtier de commande au manche supérieur  
Fixe a caixa de controle na haste superior



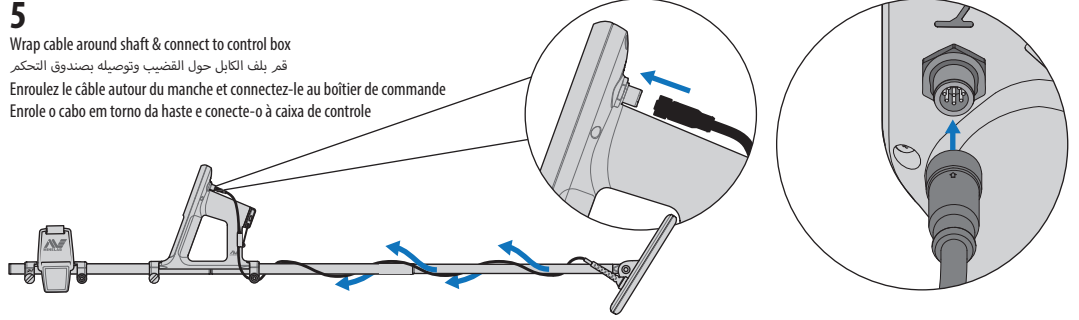
4

Attach armrest to upper shaft  
قم بتثبيت مسند الذراع في القضيب العلوي  
Reliez le repose bras aumanche supérieur  
Fixe o apoio de braço na haste superior



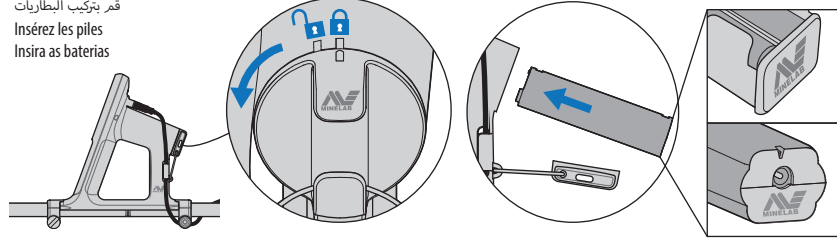
5

Wrap cable around shaft & connect to control box  
قم بلف الكابل حول القضيب وتوصيله بصندوق التحكم  
Enroulez le câble autour du manche et connectez-le au boîtier de commande  
Enrole o cabo em torno da haste e conecte-o à caixa de controle

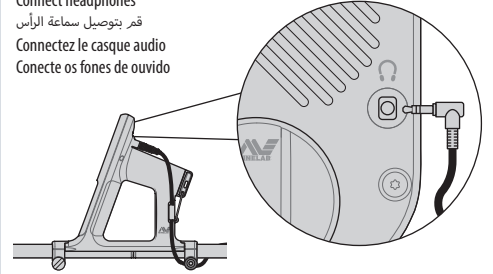


6

Insert batteries  
قم بتثبيت البطاريات  
Insérez les piles  
Insira as baterias



Connect headphones  
قم بتوصيل سماعة الرأس  
Connectez le casque audio  
Conecte os fones de ouvido



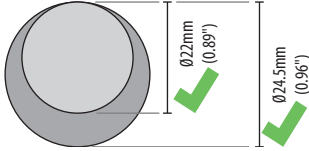
## Universal Shaft Adaptor Embout de manche universel

## وصلة عصي الحمل الشاملة Adaptador Universal da Haste

## Detecting Basics Fondamentaux de la détection

## مبادئ الكشف عن المعادن Detecção Básica

Alternative plastic shaft or broomstick  
قضيب بلاستيكي بديل أو عصا مكنسة  
Possibilité de manche en plastique ou de manche à balai  
Haste de plástico opcional ou cabo de madeira



1

Insert shaft into yoke  
ركب القضيب في القارية  
Insérez la manche dans l'embout  
Insira a haste no encaixe

Check washers  
افحص الوردات  
Vérifiez les rondelles  
Verifique as aruelas



2

Follow steps 2-6 of Assembly  
اتبع الخطوات 2-6 من خطوات التجميع  
Suivez les étapes 2 à 6 du montage  
Siga as etapas de 2 a 6 para a Montagem



## Battery Charging Chargement des batteries

## شحن البطارية Carregar a bateria

